

SUBMERSIBLE RANGE

CATALOGUE
2019

VERSION 1



HYDRO PUMPS

WATER TECHNOLOGIES



INDEX

VTS SUBMERSIBLE PUMP	4
VTC SUBMERSIBLE PUMP	5
VHM SUBMERSIBLE PUMP	6
VSS SUBMERSIBLE PUMP	8
C-SERIES RAW SEWAGE PUMP	9
PERFORMANCE DATA 50C	10
PERFORMANCE DATE 80C	11
TECHNICAL INFORMATION	12
B-SERIES RAW SEWAGE PUMPS	14
PERFORMANCE DATA 150B	15
PERFORMANCE DATA 200B	16
TECHNICAL INFORMATION	17
VXM / VX SUBMERSIBLE PUMP	19
PERFORMANCE DATA	20
WSD RANGE SCREENED SEWAGE SUBMERSIBLE PUMP	21
PERFORMANCE DATA	22
DIMENSIONAL DRAWING	23
SUBMERSIBLE RANGE ACCESSORIES	24



This document contains hyperlinks. If you are using the electronic PDF copy you do not need to go through the entire document to get to the required page, you can simply click on the required page on your index page. Click on the logo on top to return to the Index page.

VTS SUBMERSIBLE RANGE

GENERAL DEWATERING: 1.5 - 11KW



GENERAL DEWATERING FEATURES:

- Liquid temperature: up to 40°C.
- Solids handling: up to Ø11.6mm.
- Protection class: IP68, Class B.
- Depth submersion: 10m
- Completely water-tight cable entry sealed with epoxy resin.
- Pump's outer case is constructed out of durable stainless steel which achieves superior heat dissipation.
- Inlet Plate and pump casing are made of wear-resistant ductile iron to withstand very abrasive liquids.
- Oil-free hermetically sealed, with built-in thermal overload protector.
- Available in: 380V, 525V & 1000V

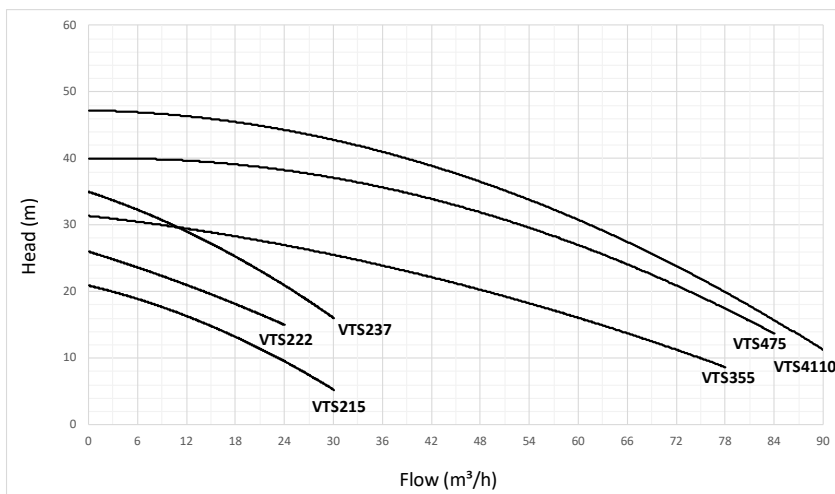


APPLICATIONS:

- General construction and civil engineering applications.
- Tunnel and subway construction, mining and reclamation operations.
- Deep well pre-dewatering.
- Dirty water non slurry applications.

PERFORMANCE:

OUTPUT KW	MODEL	DISCHARGE DIA.MM	BEP HEAD M	BEP FLOW M ³ /H	MAX SOLIDS MM	WEIGHT KG
1.5	VTS 215	50	15	15	8.5	35
2.2	VTS 222	50	19	17.4	8.5	37
3.7	VTS 237	50	27	15	8.5	58
5.5	VTS 355	80	24	37.8	8.5	65
7.5	VTS 475	100	33	45	11.6	108
11	VTS 4110	100	35	52.8	11.6	123



VTS SUBMERSIBLE RANGE

GENERAL DEWATERING: 1.5 - 15KW



GENERAL DEWATERING FEATURES:

Liquid temperature: up to 40°C.
 pH Values: 4-10, Cast Iron.
 Solids handling: up to Ø80mm.
 Protection class: IP68, Class B.
 Depth submersion: 10m
 Pump constructed out of Cast Iron.
 Impeller construction out of Cast Iron, open type single channel.
 Separate cutter mechanism located on pump inlet.
 Double mechanical shaft seal (silicon carbide-silicon carbide/carbon graphite-ceramic).
 Available in: 380V, 525V & 1000V

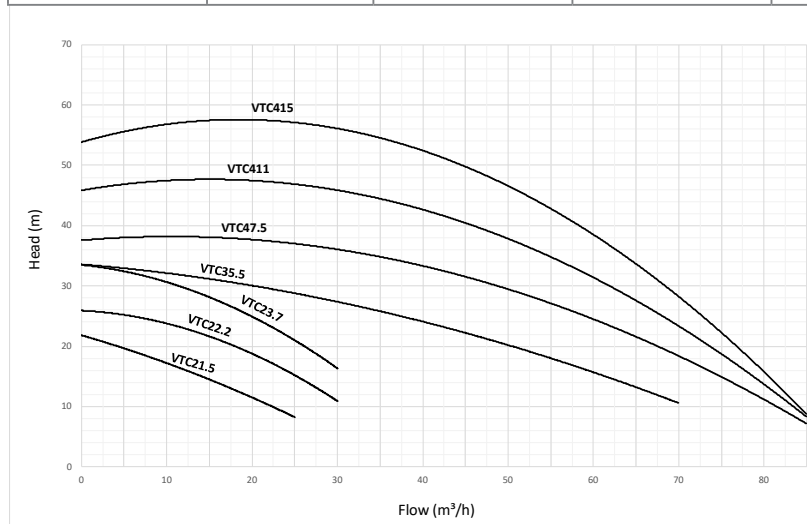


APPLICATIONS:

General construction and civil engineering applications.
 Tunnel and subway construction, mining and reclamation operations.
 Deep well pre-dewatering.
 Dirty water non slurry applications.

PERFORMANCE:

OUTPUT KW	MODEL	DISCHARGE DIA.MM	BEP HEAD M	BEP FLOW M ³ /H	MAX SOLIDS MM	WEIGHT KG
1.5	VTC215	50	15	15	8.5	36
2.2	VTC222	50	18	20	8.5	39
3.7	VTC237	50	26	18	8.5	63
5.5	VTC355	80	22	45	8.5	77
7.5	VTC475	100	26	60	11.5	106
11	VTC411	100	32	60	11.5	136
15	VTC415	100	42	60	11.5	144



VHM SUBMERSIBLE RANGE

GENERAL DEWATERING: 22 - 75KW



GENERAL DEWATERING FEATURES:

- Liquid temperature: up to 40°C.
- Solids handling: up to Ø8mm.
- Protection class: IP68, Class B.
- Depth submersion: 10m
- Complete water-tight cable entry sealed with epoxy resin.
- Durable cast iron outer construction case achieves superior heat dissipation.
- Oil-free hermetically sealed, with built-in thermal overload protector.
- Inlet plate and pump casing are made of wear-resistant ductile iron to withstand very abrasive liquids.
- Replaceable and adjustable high chrome wear rings provide increased wear resistance.
- Thermal and amperage protectors can help to prevent motor failure in run-dry or surge conditions.
- High pressure, dual silicon carbide mechanical seals, able to operate in a separate oil chamber.
- Anti-wicking cable entrance.

APPLICATIONS:

- Used in abrasive and corrosive applications.
- General construction and civil engineering applications.
- Tunnel and subway construction, mining and reclamation operations.
- Deep well pre-dewatering.
- Dirty water non slurry applications.

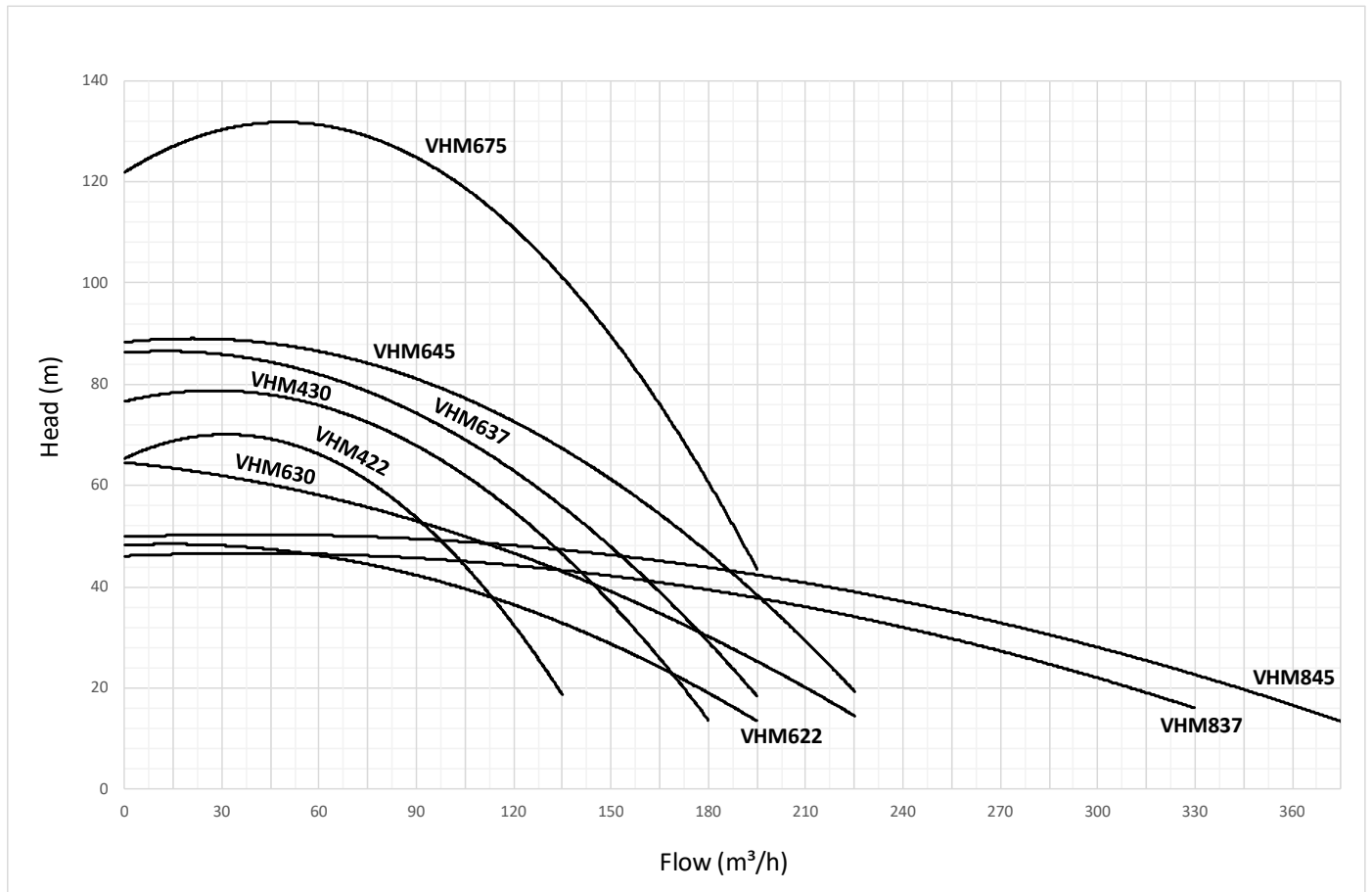


PERFORMANCE:

OUTPUT KW	MODEL	DISCHARGE DIA.MM	BEP HEAD M	BEP FLOW M ³ /H	MAX SOLIDS MM	WEIGHT KG
22	VHM422	100	60	66	6	365
22	VHM622	150	37	120	15	365
30	VHM430	100	70	72	6	370
30	VHM630	150	45	140	15	370
37	VHM637	150	80	60	6	555
37	VHM837	200	35	216	20	555
45	VHM645	150	80	84	6	555
45	VHM845	200	35	270	20	555
75	VHM675	150	120	90	8	880

VHM SUBMERSIBLE RANGE

PERFORMANCE CURVE



VHM SUBMERSIBLE RANGE

GENERAL DEWATERING: 22 - 75KW



GENERAL DEWATERING FEATURES:

Capacity:	up to 372m ³ /h.
Head:	up to 32 meters.
Discharge:	80mm (3") to 200mm (8").
Power:	4kW (5.5 HP) to 22kW (30HP).
Power supply:	three phase 380V ± 10%, 50Hz
Insulation class:	F
Protection class:	IP68.
Cable length:	8m.
Water temperature:	up to 40°C.
Maximum water depth:	15m.
SG:	Up to 1.2

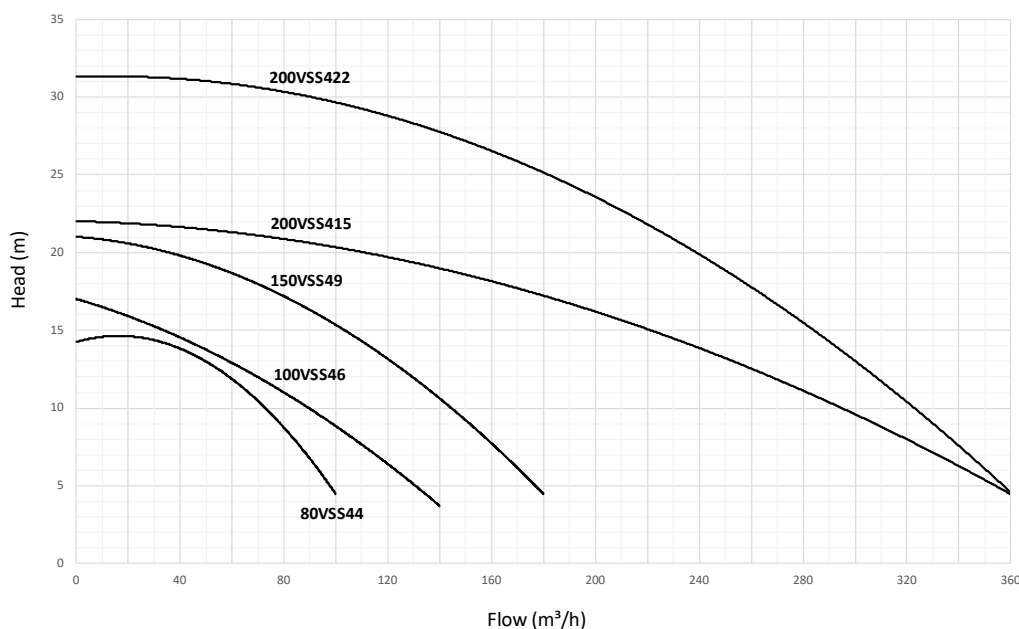


APPLICATIONS:

Discharging slurries bearing sand, earth & other solids in suspension.

PERFORMANCE:

OUTPUT KW	MODEL	DISCHARGE DIA.MM	BEP HEAD M	BEP FLOW M ³ /H	MAX SOLIDS MM	WEIGHT KG
4	80VSS44	80	10	60	30	108.5
6	100VSS46	100	10	90	30	141
9	150VSS49	150	15	100	30	171
15	200VSS415	200	16	200	30	260
22	200VSS422	200	24	200	30	408



C-SERIES SUBMERSIBLE RANGE

RAW SEWAGE: 1.1 - 7.5KW



DESIGN

The C Range of raw sewage / sludge pumps feature an adjustable bottom plate to maintain efficiency by maintaining the preferred clearance in relation to the channel impeller. The inlet opening is shaped like a star and grabs stringy solids entering the pump. As the open vane impeller rotates, it effectively cuts all stringy solids (held by the inlet plate) to manageable sizes, before allowing access to the pump volute.

PERFORMANCE RANGE

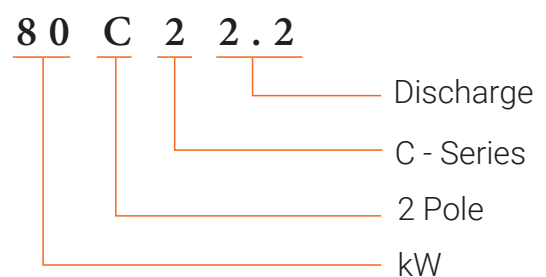
Maximum Head:	30m
Maximum Flow:	120m ³ /h
Power:	1.1 - 7.5kW
Motor Speed:	2 Pole

OPERATING CONDITIONS

Liquid temperature:	up to 40°C
Density of liquid:	1.3g/cm ³
PH:	6 to 10
Protection class:	P68, Class B
Maximum immersion depth:	10m
Cable length:	8m

MATERIALS OF CONSTRUCTION

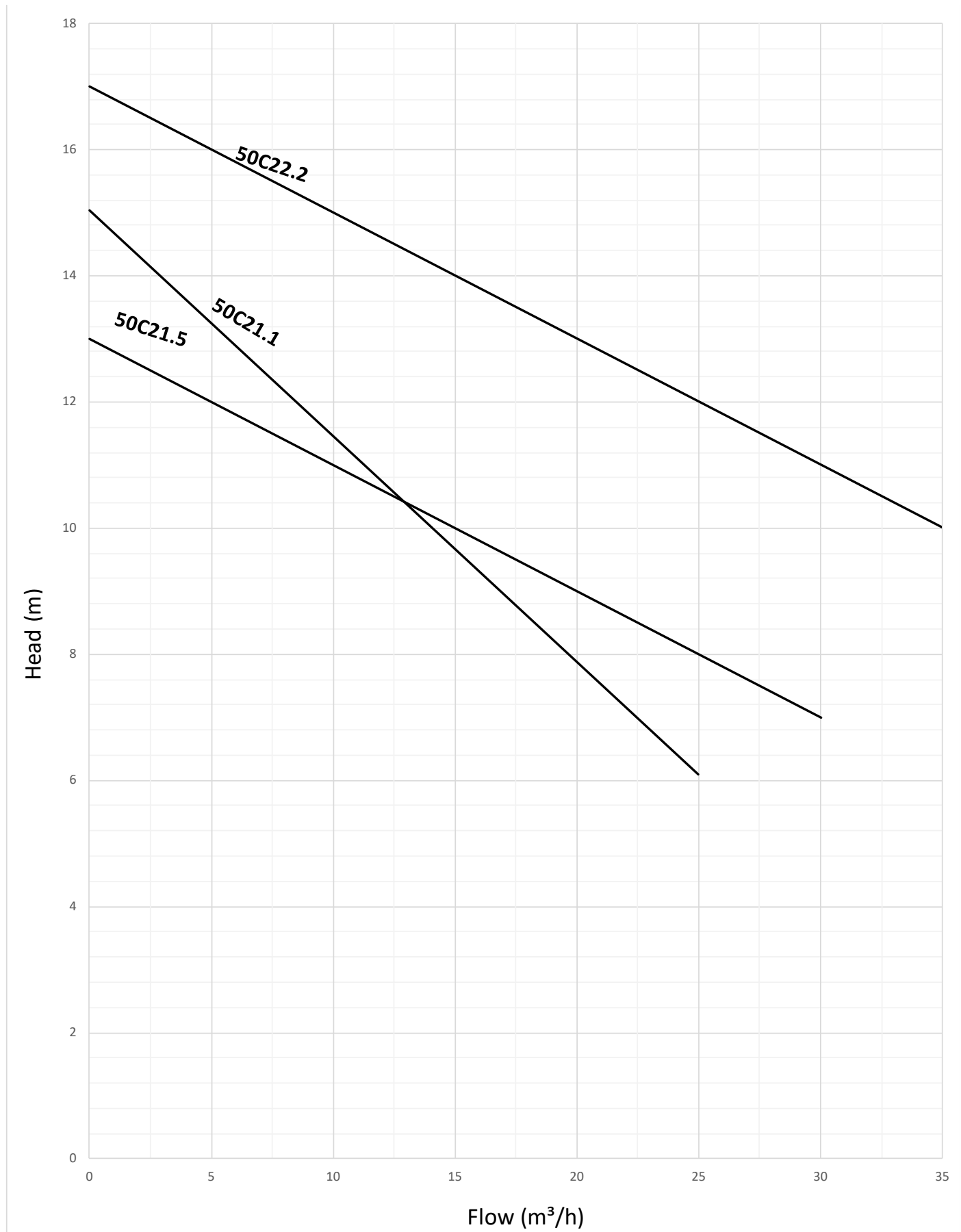
Cast iron pump construction.
 Cast iron impeller construction, open type single channel.
 Integrated cutter mechanism located on pump inlet.
 Double mechanical shaft seal (silicon carbide-silicon carbide/carbon graphite-ceramic).



MODEL	VOLTAGE	CURRENT	MOTOR POWER		OUTLET		MAX FLOW	MAX HEAD	IMPELLER PASSAGE	CABLE
	V	A	kW	HP	INCH	MM	m ³ /h	m	mm	mm ²
50C21.1S	220	7.2	1.1	1.5	2	50	27	15	20	4G1.0
50C21.1	380	2.8	1.1	1.5	2	50	27	15	20	4G1.0
50C21.5	380	3.2	1.5	2	2	50	31	13	25	4G1.0
50C22.2	380	5	2.2	3	3	50	35	17	25	4G1.0
80C23.0	380	6.5	3.0	4	3	80	67	21	30	4G1.5
80C24.0	380	8.9	4.0	5.5	3	80	79	24	30	4G1.5
100C25.5	380	11.7	5.5	7.5	4	100	107	27	35	4G2.5
100C27.5	380	15.7	7.5	10	4	100	120	30	35	4G2.5

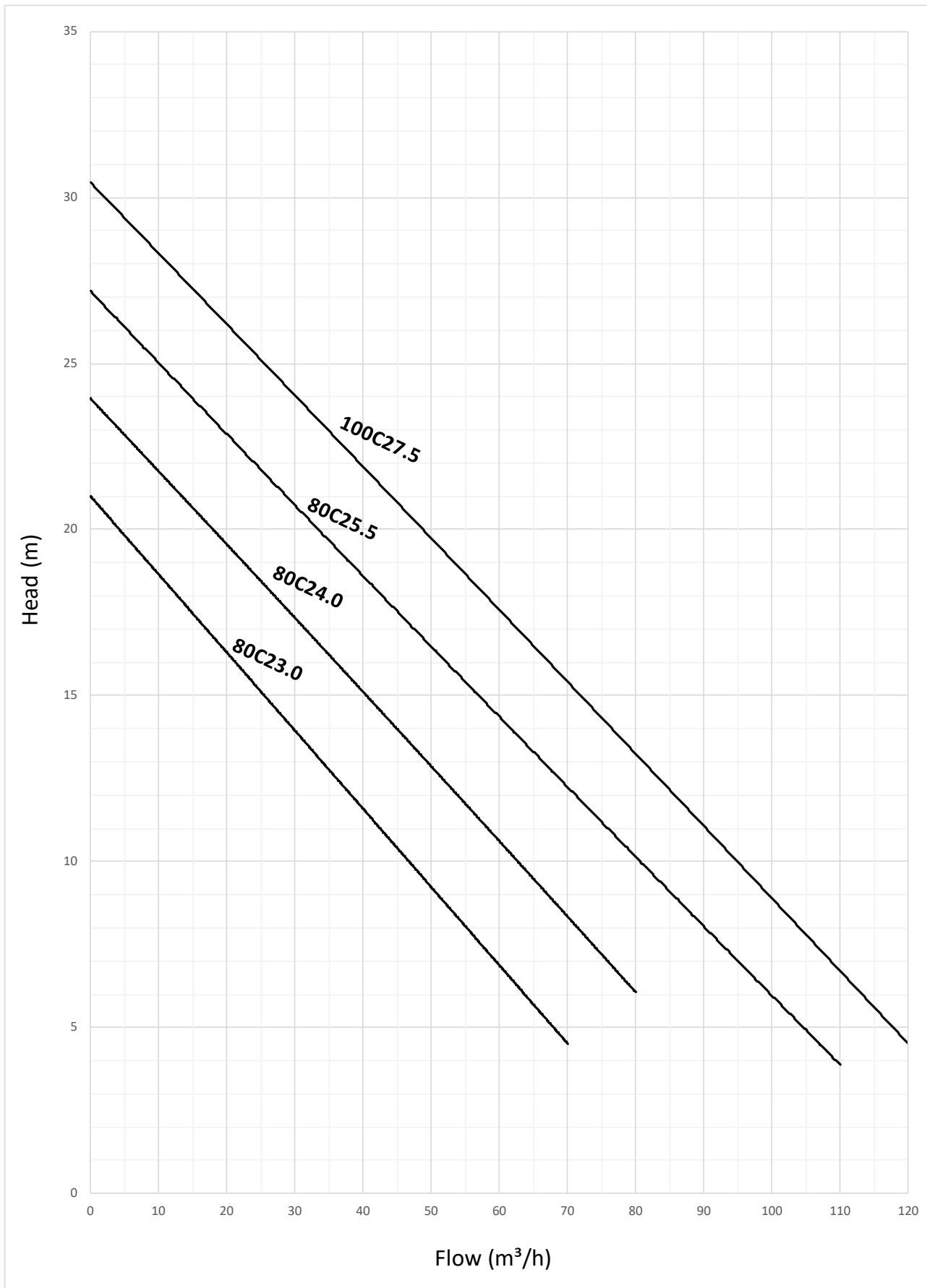
PERFORMANCE CURVE

50C



PERFORMANCE CURVE

80C

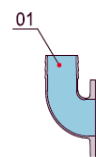


TECHNICAL INFORMATION

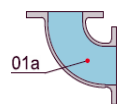


ITEM No.	PART NAME	MATERIAL
01	HOSE COUPLING	CAST IRON
01a	HOSE COUPLING	CAST IRON
03	TERMINAL BOX	CAST IRON
05	UPPER COVER	CAST IRON
06	UP-BEARING HOUSE	CAST IRON
07	BEARING HOUSE	CAST IRON
11	MOTOR BODY	CAST IRON
13	PUMP BODY	CAST IRON
14	IMPELLER	CAST IRON
16	INLET PLATE	CAST IRON
17	COUPLING ADAPTER	CAST IRON
22	SEAT ASSEMBLY	CAST IRON
22a	COUPLING SEAT	CAST IRON
22b	UPPER GUIDE SUPPORT	CAST IRON
27	STATOR	
28	ROTOR	SHAFT: AISI304SS
30	FLANGE	CAST IRON
31a	BEARING	BALL BEARING
31b	BEARING	BALL BEARING
33	MOTOR PROTECTOR	
34	MECHANICAL SEAL	SIC-SIC/ CARBON-CERAMIC
35	OIL SEAL	
47	CABLE	

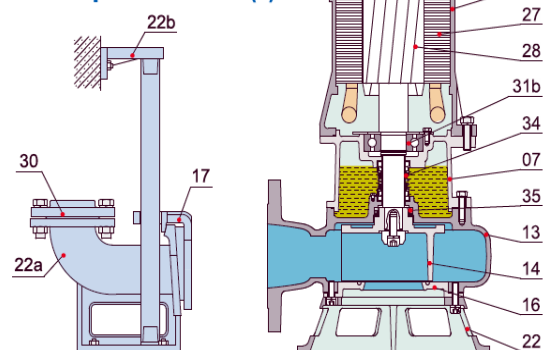
Movable Soft Pipe Installation (R)



Movable Hard Pipe Installation(Y)



Auto-coupled Installation (Z)

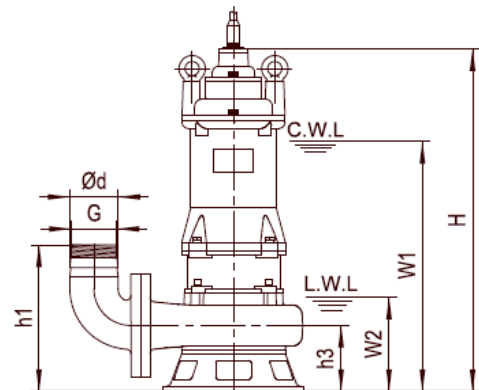
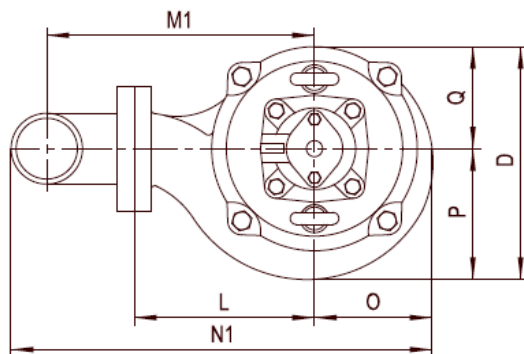


WEIGHTS & PACKING DIMENSIONS

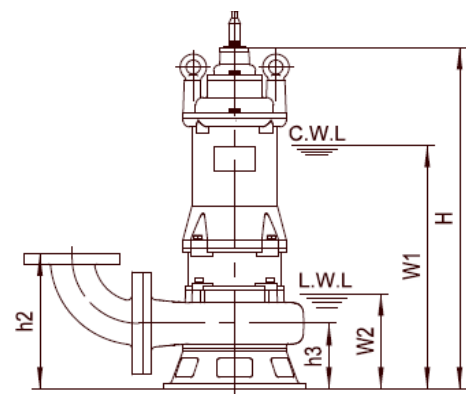
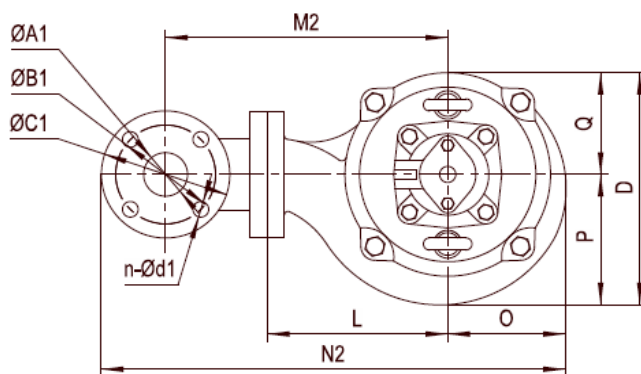
MODEL	N.W	G.W	PACKING DIMENSIONS
	kg	kg	mm
80C22.2	46	50.5	700*250*325
80C23.0	56	62	760*300*355
80C24.0	64	70	800*300*355
100C25.5	83	89	830*320*355
100C27.5	98	105	834*314*400



MOVABLE SOFT PIPE INSTALLATION (R)



MOVABLE HARD PIPE INSTALLATION (Y)



C.W.L : Continuous running water level
L.W.L : Lowest running water level

MODEL	Ød	G	ØA1	ØB1	ØC1	n-Ød1	h1	h2	h3	W1	W2	H	O	P	Q	L	D	M1	M2	N1	N2
80C22.2	80	2.5"	80	150	190	4-Ø18	255	250	110	420	170	585	107	110	107	165	217	255	305	400	510
80C23.0	50	2.5"	80	150	190	4-Ø18	265	260	120	455	185	640	130	138	130	170	268	263	313	430	538
80C24.0	50	2.5"	80	150	190	4-Ø18	265	260	120	485	185	675	130	138	130	170	268	263	313	430	538
100C25.5	100	-	100	170	210	4-Ø18	300	280	130	510	200	710	135	147	135	200	282	302	352	487	592
100C27.5	100	-	100	170	210	4-Ø18	310	280	140	525	210	675	125	150	135	200	285	302	352	487	592

B-SERIES SUBMERSIBLE RANGE

RAW SEWAGE: 11 - 22KW



PERFORMANCE RANGE

Maximum Head:	26m
Maximum Flow:	550m ³ /h
Power:	11-22kW
Motor Speed:	4 Pole

OPERATING CONDITIONS

Liquid temperature:	up to 40°C
Density of liquid:	1.3g/cm ³
PH:	6 to 10
Protection class:	IP68, Class F
Maximum immersion depth:	20m
Cable length:	8m

MATERIALS OF CONSTRUCTION

Cast iron pump construction.

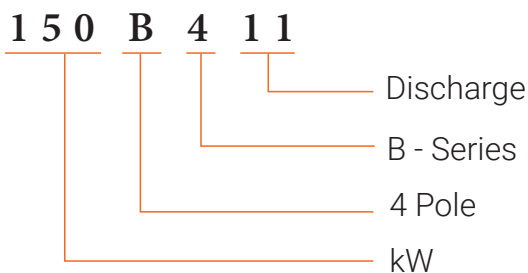
Cast iron impeller construction, open type single channel.

Integrated cutter mechanism located on pump inlet.

Double mechanical shaft seal (silicon carbide-silicon carbide/carbon graphite-ceramic).



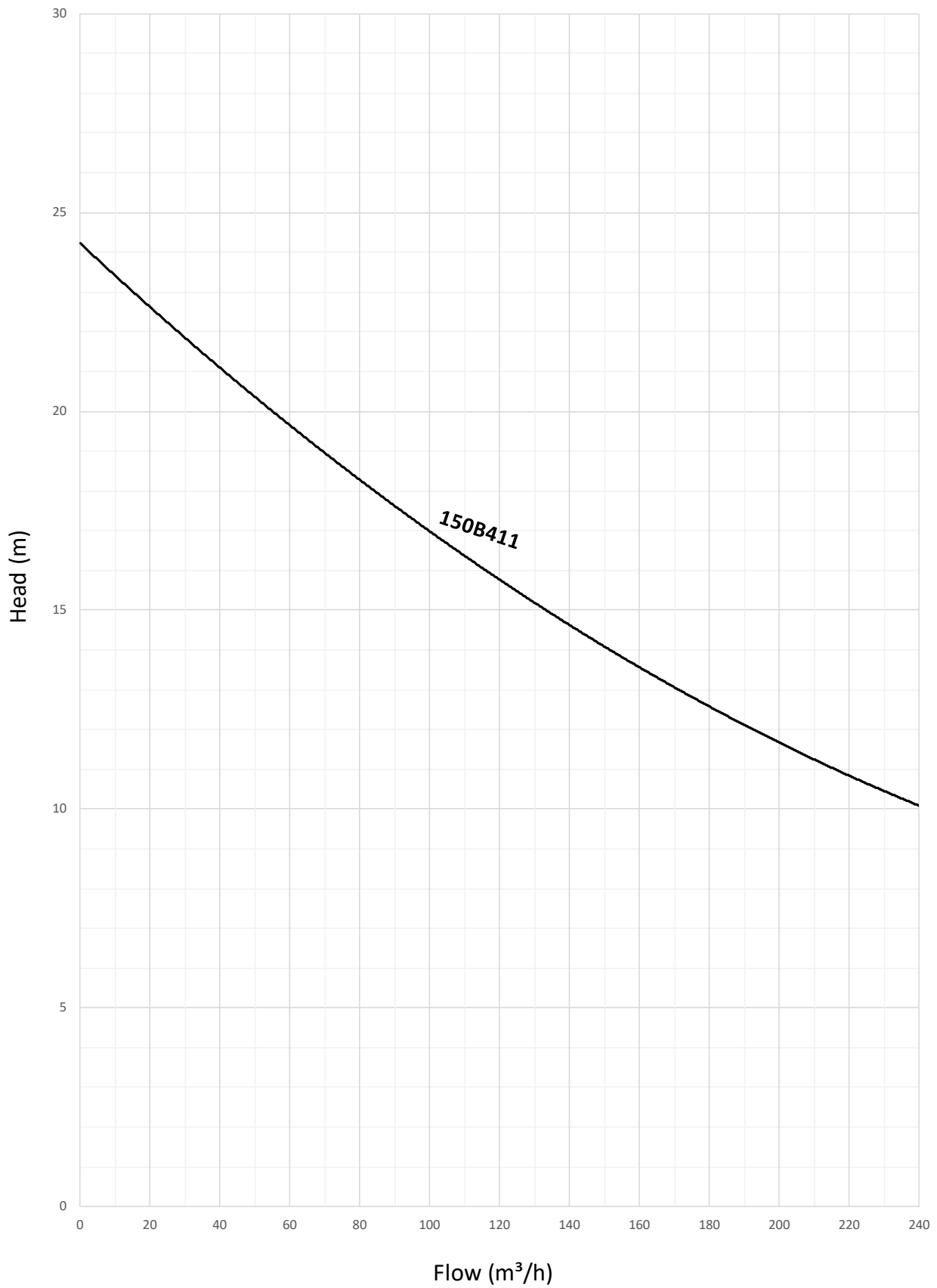
Duckfoot



MODEL	VOLTAGE	CURRENT	MOTOR POWER		OUTLET		MAX FLOW	MAX HEAD	IMPEL- LER PAS- SAGE	CABLE
	V	A	kW	HP	INCH	MM	m ³ /h	m	mm	mm ²
150B411	380	22	11	15	6	150	260	24	60	4G4.0
200B415	380	30.1	15	20	8	200	490	21	70	4G6.0
200B4185	380	38	18.5	25	8	200	550	27	70	4G10.0
200B422	380	45	22	30	8	200	550	27	70	4G10.0

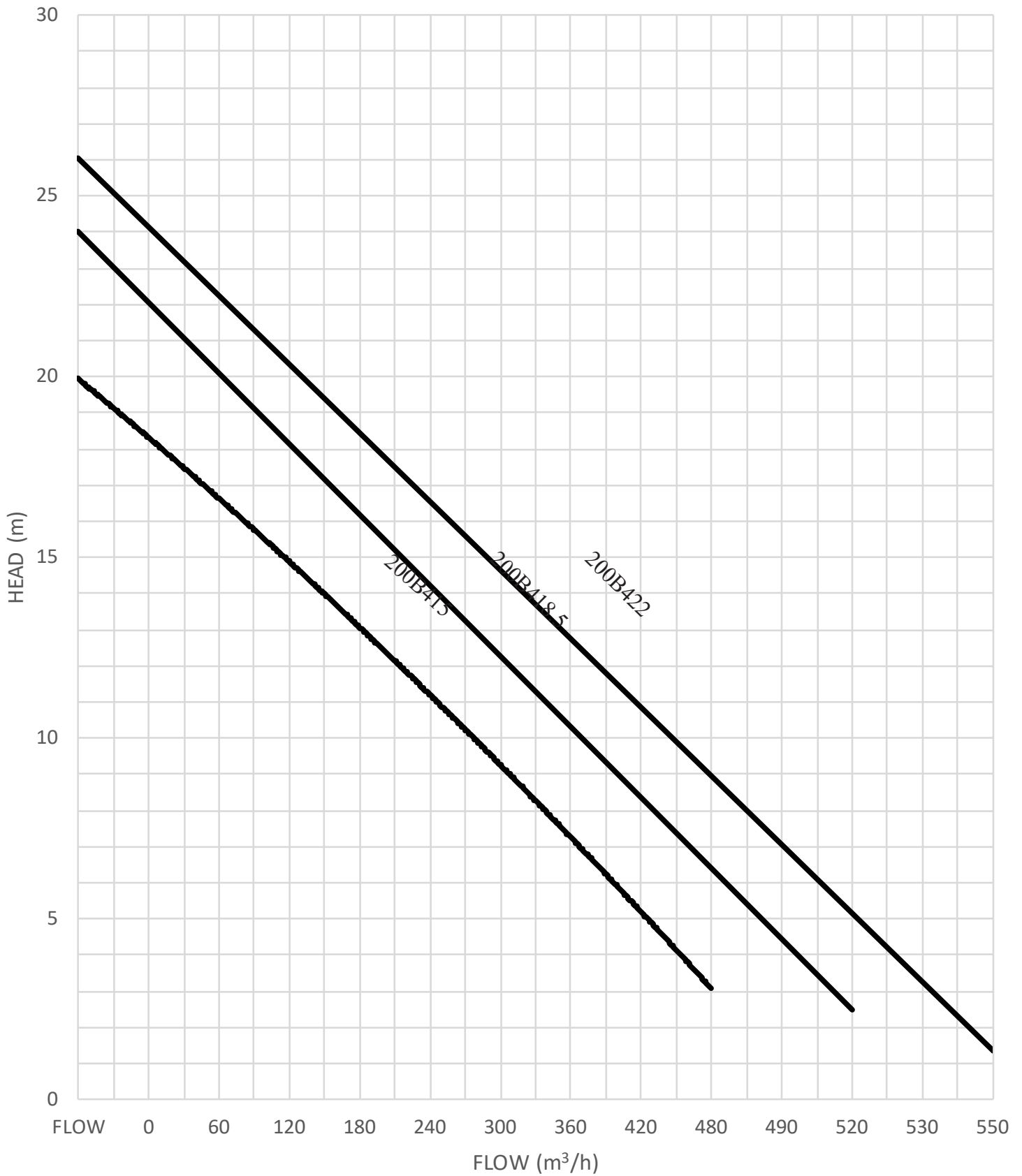
PERFORMANCE CURVE

150B



PERFORMANCE CURVE

200B

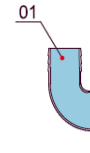


TECHNICAL INFORMATION

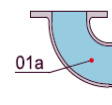


ITEM No.	PART NAME	MATERIAL
01	HOSE COUPLING	CAST IRON
01a	HOSE COUPLING	CAST IRON
03	TERMINAL BOX	CAST IRON
05	UPPER COVER	CAST IRON
06	UP-BEARING HOUSE	CAST IRON
07	BEARING HOUSE	CAST IRON
11	MOTOR BODY	CAST IRON
13	PUMP BODY	CAST IRON
14	IMPELLER	CAST IRON
16	INLET PLATE	CAST IRON
17	COUPLING ADAPTER	CAST IRON
22	SEAT ASSEMBLY	CAST IRON
22a	COUPLING SEAT	CAST IRON
22b	UPPER GUIDE SUPPORT	CAST IRON
27	STATOR	
28	ROTOR	SHAFT: AISI304SS
30	FLANGE	CAST IRON
31a	BEARING	BALL BEARING
31b	BEARING	BALL BEARING
33	MOTOR PROTECTOR	
34	MECHANICAL SEAL	SIC-SIC/ CARBON-CERAMIC
35	OIL SEAL	
47	CABLE	

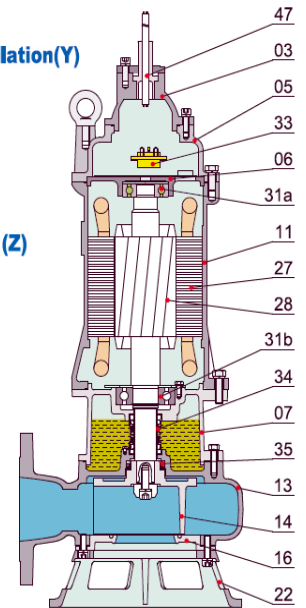
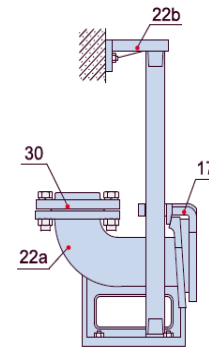
Movable Soft Pipe Installation (R)



Movable Hard Pipe Installation (Y)



Auto-coupled Installation (Z)

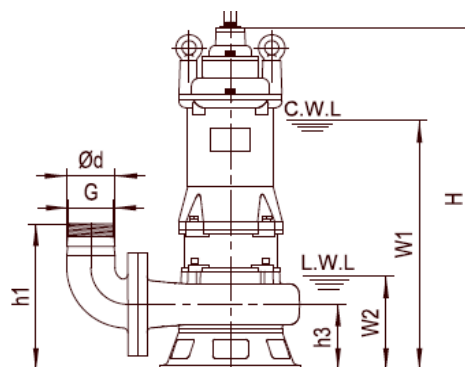
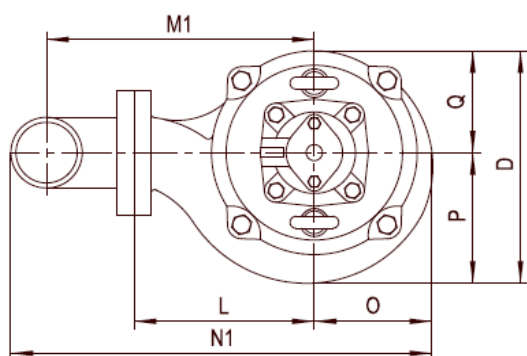


WEIGHTS & PACKING DIMENSIONS

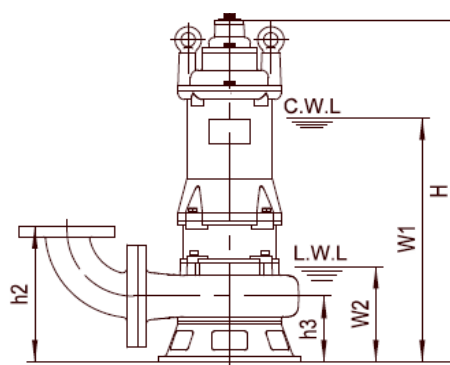
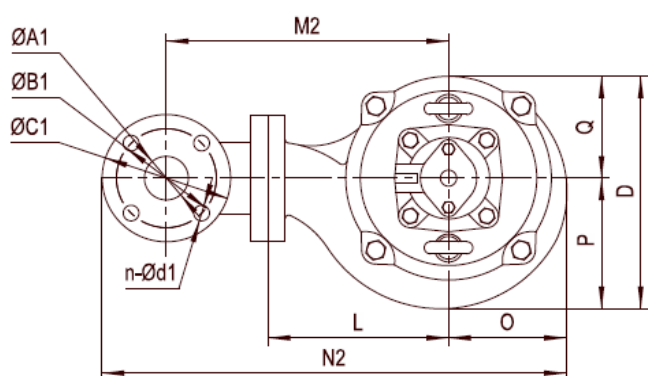
MODEL	N.W	G.W	PACKING DIMENSIONS
	kg	kg	mm
150B411	256	274	700*470*1130
200B415	302	321	700*500*1220
200B4185	354	373	720*510*1280
200B422	374	394	720*510*1280



MOVABLE SOFT PIPE INSTALLATION (R)



MOVABLE HARD PIPE INSTALLATION (Y)



C.W.L : Continuous running water level
L.W.L : Lowest running water level

Model	Ød	G	ØA1	ØB1	ØC1	n-Ød1	h1	h2	h3	W1	W2	H	O	P	Q	L	D	M1	M2	N1	N2
150B411	150		150	225	265	8 Ø18	440	415	215	680	285	940	210	225	210	320	435	472	522	757	865
200B415	200		200	295	340	8 Ø22	545	465	235	765	625	1025	225	253	210	340	463	542	572	868	968
200B4185	200		200	295	340	8 Ø22	545	465	235	785	625	1080	233	260	210	350	470	552	582	885	985
200B422	200		200	295	340	8 Ø22	545	465	235	805	625	1100	233	260	210	350	470	552	582	885	985

VXM SUBMERSIBLE RANGE

SCREENED SEWAGE: 0.55 - 0.75KW



APPLICATIONS

The VXM range is designed for:

- Sewage treatment plants
- Industrial draining
- Agriculture irrigation

OPERATING CONDITIONS

Liquid temperature: up to 40°C

Maximum solids: 35mm

MOTOR AND PUMP

Rewindable motor.

Single-phase: 220 - 240V/50Hz

Three-phase: 380 - 415V/50Hz

The VXD Range is available to equip with floating switch.



V X (M) 1 0 A

with Floating Switch

Head (m)

Single Phase (three phase with no M marked)

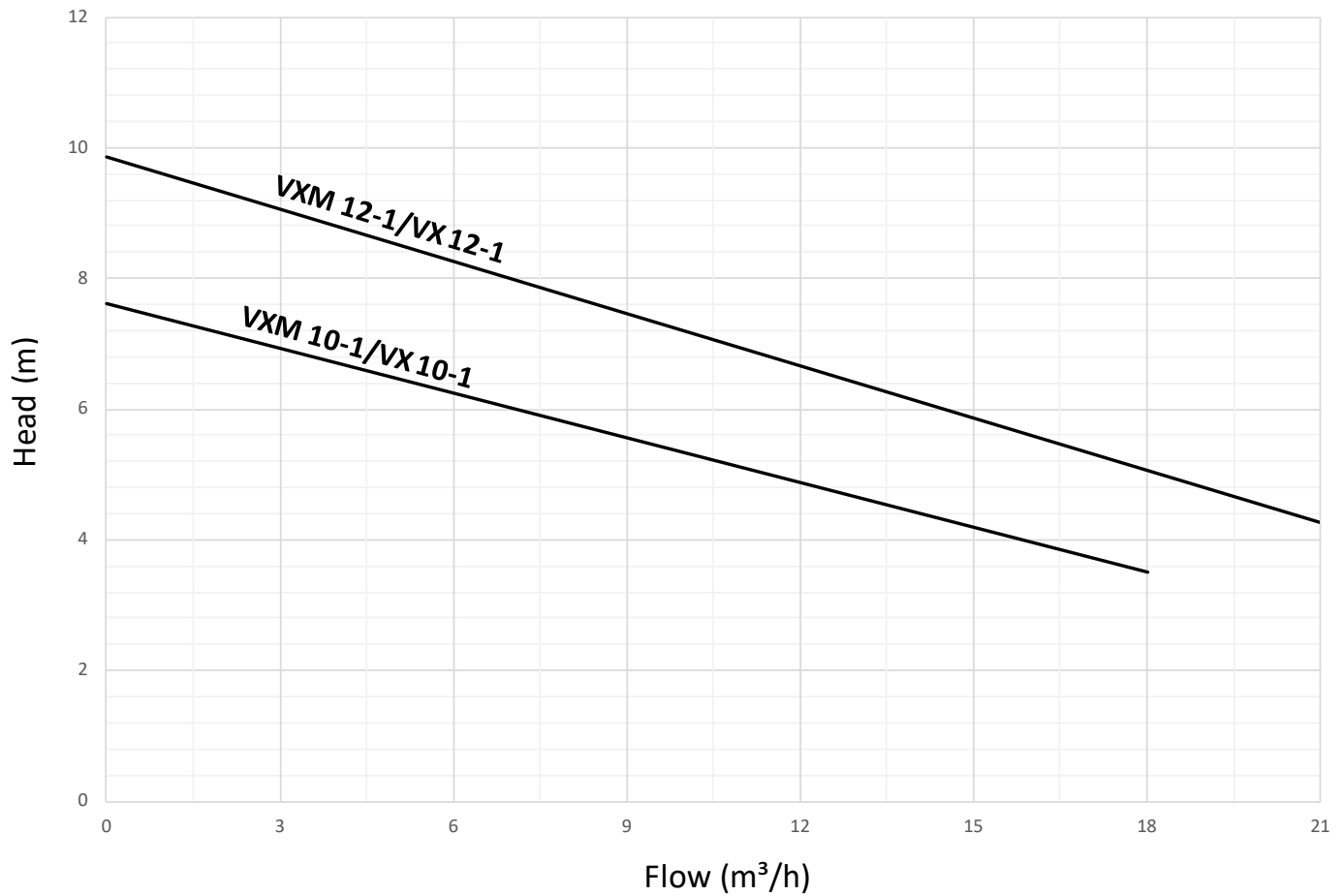
Model

COMPONENTS	MATERIAL
Delivery casing	AISI 304 SS
Suction lantern	AISI 304 SS
Diffuser	1 AISI 304 SS 2 Cast-iron G20 UNI5007
Impeller	AISI 304 SS
Motor external casing	AISI 304 SS
Top Chock	AISI 304 SS
Bottom Support	AISI 304 SS
Mechanical seal	Graphite-Ceramic
Shaft	AISI 304 SS-ASTM 5140
Seal lubricant oil	Oil for food



VXM SUMBERSIBLE RANGE

PERFORMANCE CURVE



TECHNICAL FEATURES

MODEL	POWER		DN	DIMENSIONS (MM)				WEIGHT (KG)	
	kW	HP		W	L	H(S)	H(T)	G(S)	G(T)
VXM 10-1 / VX10-1	0.55	0.75	2"	92	200	415	415	7.6	7.1
VXM 12-1 / VX12-1	0.75	1	2"	92	200	415	415	8.4	7.9

*Single phase fitted with float level switch

Specification at n=2900rpm

PERFORMANCE

MODEL		P ₂		DELIVERY								
1 ~ 220 ~240	3 ~ 380 ~415	kW	HP	m³/h	0	3	6	9	12	15	18	21
				l/min	0	50	100	150	200	250	300	350
VXM 10-1	VX 10-1	0.55	0.75	H (m)	7.3	6.9	6.4	5.8	5.1	4.3	3.1	
VXM 12-1	VX 12-1	0.75	1	H (m)	9.5	9.0	8.4	7.7	6.9	6.0	5.0	3.9

WSD SUBMERSIBLE RANGE

SCREENED SEWAGE: 0.18 - 3.7KW



APPLICATIONS

The WSD range is designed for:

- Sewage treatment plants
- Industrial draining
- Agriculture irrigation

OPERATING CONDITIONS

Liquid temperature: up to 40°C

MOTOR AND PUMP

Rewindable motor.

Single-phase: 220 - 240V/50Hz

Three-phase: 380 - 415V/50Hz

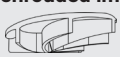

The WSD Range is available to equip with floating switch.

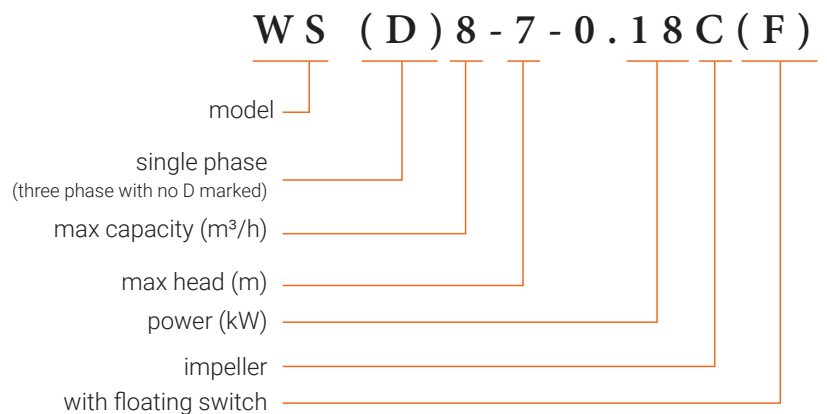
This range can also work in water containing fibre.



Motor and Pump
(according to our general sales conditions)

COMPONENTS	MATERIAL
Motor external casing	AISI 304 SS
Mechanical seal	Graphite-Ceramic
Shaft	AISI 304 SS-ASTM 5140
Seal lubricant oil	Oil for food machinery and pharmaceutical use

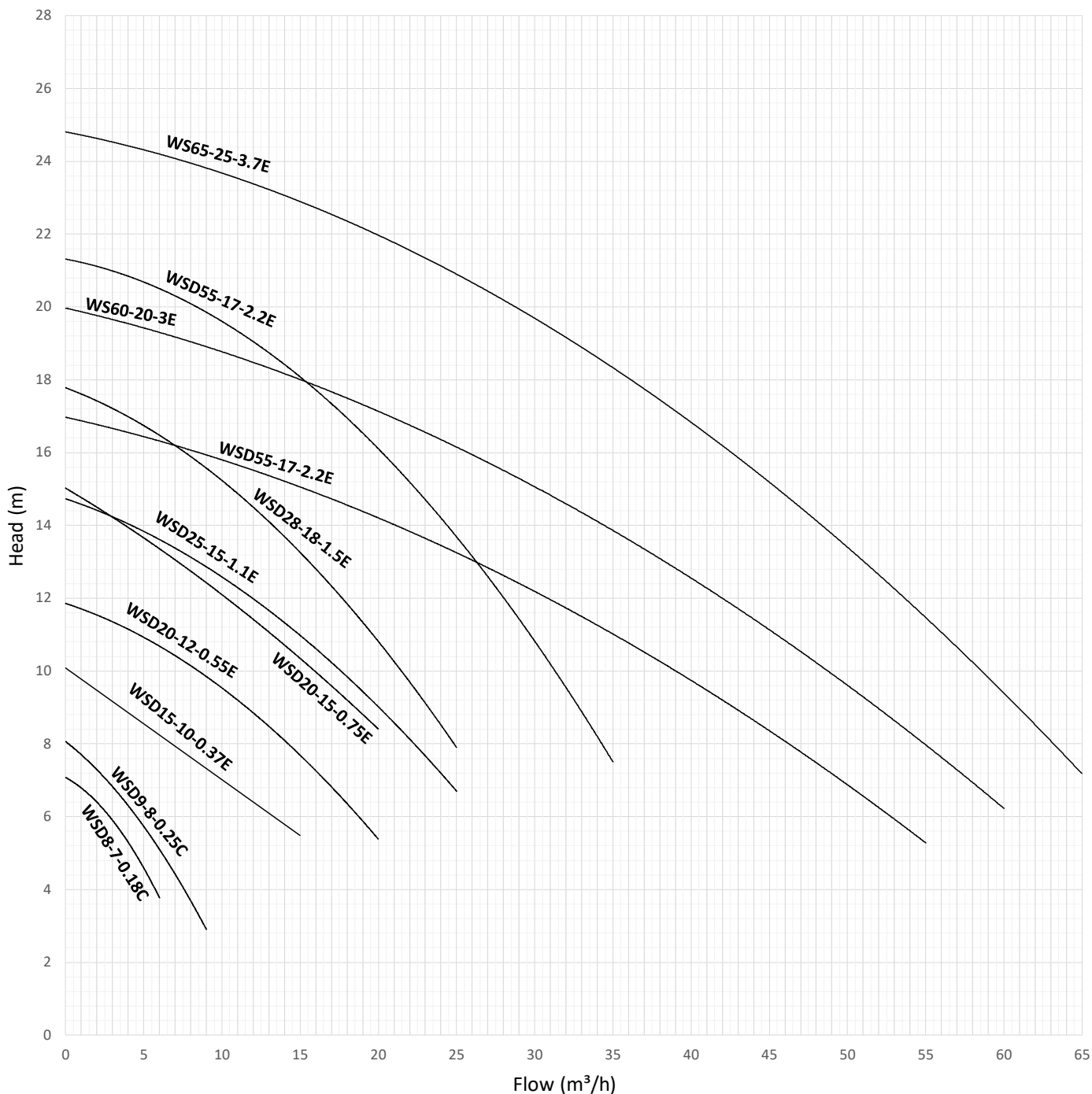
Unshrouded impeller	Semi-open impeller
	
WSD8-7-0.18C	WSD15-10-0.37E
WSD9-8-0.25C	WSD20-12-0.55E
-	WSD20-15-0.75E
-	WSD25-15-1.1E
-	WSD28-18-1.5E
-	WSD35-22-2.2E
-	WS60-20-3E
-	WS65-25-3.7E



MODEL		POWER		DN	DIMENSIONS				WEIGHTS (KG)		THE MAX. FLOW PARTICLE (MM)
		(kW)	(Hp)		W	L	H(S)	H(T)	G(S)	G(T)	
WSD8-7-0.18C	WS8-7-0.18C	0.18	0.25	1¼"	65	170	400	390	12	11.5	15
WSD9-8-0.25C	WS9-8-0.25C	0.25	0.33	1¼"	65	170	400	390	12.8	12.3	15
WSD15-10-0.37E	WS15-10-0.37E	0.37	0.5	1¼"	65	170	410	400	13.4	13	15
WSD20-12-0.55E	WS20-12-0.55E	0.55	0.75	2"	85	242	420	405	14.5	14	20
WSD20-15-0.75E	WS20-15-0.75E	0.75	1	2"	85	242	430	415	15.7	15.2	20
WSD25-15-1.1E	WS25-15-1.1E	1.1	1.5	2"	85	242	470	460	20	19	25
WSD28-18-1.5E	WS28-18-1.5E	1.5	2	2"	85	260	470	460	20	19	25
WSD35-22-2.2E	WS35-22-2.2E	2.2	3	2"	85	260	470	460	20	19	25
-	WS60-20-3E	3	4	3"	102	305	-	550	-	31	30
-	WS65-25-3.7E	3.7	5	3"	102	305	-	580	-	35.5	30

WSD SUBMERSIBLE RANGE

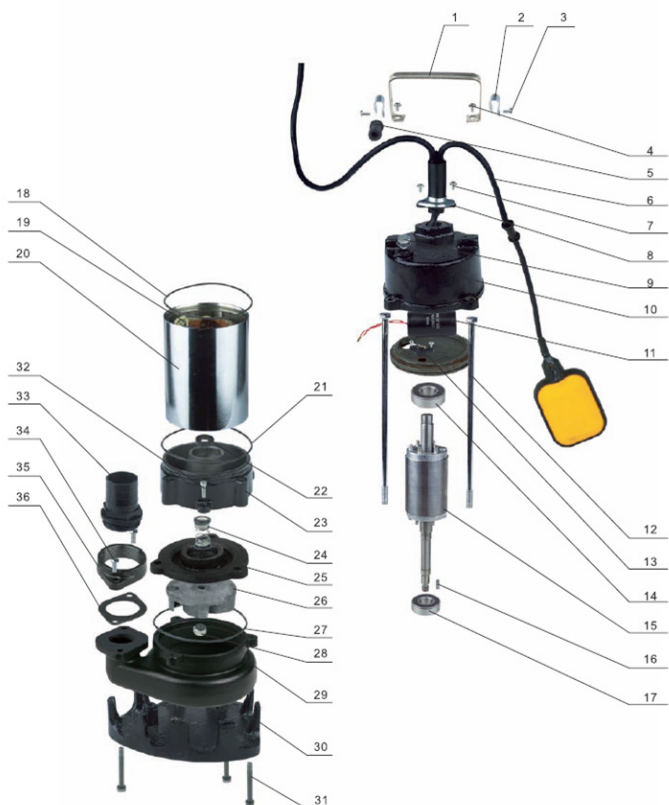
PERFORMANCE CURVE





MODEL		P ₂		DELIVERY				
1~ 220 - 240V	3~ 380 - 415V	kW	HP	m ³ /h	0	3	6	9
				l/min	0	50	100	150
WSD8-7-0.18C	WS8-7-0.18C	0.18	0.25	H (m)	7.1	6.0	3.8	
WSD9-8-0.25C	WS9-8-0.25C	0.25	0.33		8.0	7.0	5.0	3.0

MODEL		P ₂		DELIVERY																
				m ³ /h	0	5	10	15	20	25	30	35	40	45	50	55	60	65		
		kW		l/min	0	83	167	250	333	417	500	583	667	750	833	917	1000	1083		
WSD15-10-0.37E	WS15-10-0.37E	0.37	0.5	H(m)	10.3	8.3	7.2	5.4												
WSD20-12-0.55E	WS20-12-0.55E	0.55	0.75		12.1	10.7	9.7	7.8	5.3											
WSD20-15-0.75E	WS20-15-0.75E	0.75	1		15.5	13.1	12.4	10.5	8.2											
WSD25-15-1.1E	WS25-15-1.1E	1.1	1.5		15.1	13.5	12.7	11.1	9.1	6.6										
WSD28-18-1.5E	WS28-18-1.5E	1.5	2		18.2	16.4	15.3	13.4	11	7.7										
WSD35-22-2.2E	WS35-22-2.2E	2.2	3		22.0	20.3	19.5	18	16.3	14	10.9	7.2								
-	WS60-20-3E	3	4		20.2	19.5	18.7	17.9	17	16.1	15	13.9	12.7	11.3	9.8	8	5.8			
-	WS65-25-3.7E	3.7	5	25.0	24.4	23.6	22.8	21.9	20.8	19.7	18.4	16.9	15.3	13.5	11.5	9.4	7			

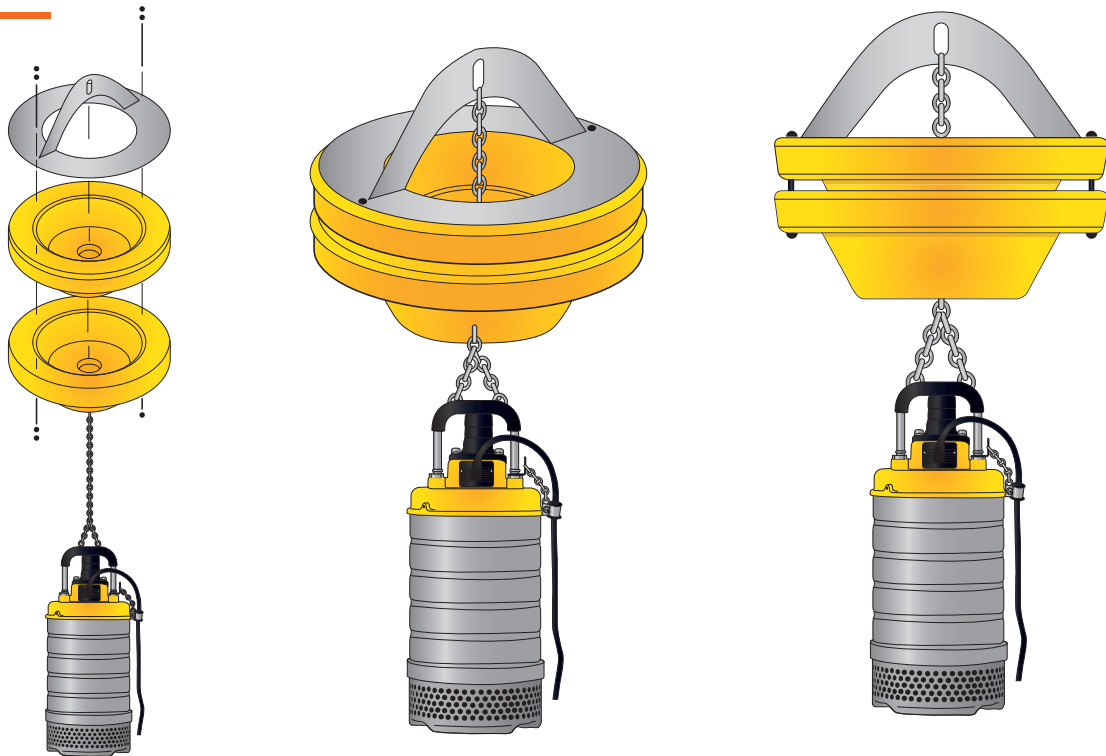


DIAGRAM

N o.	Description	N o.	Description	N o.	Description	N o.	Description	N o.	Description
1	Handle	9	Exhaust Plug	17	Bearing	25	Oil Tank Cover	33	Outlet Pipe
2	Fairlead	10	Top Cover	18	O-Ring	26	Impeller	34	Screw
3	Screw	11	Capacitor	19	Stator	27	O-Ring	35	Flange
4	Screw	12	Screw	20	Canister	28	Impeller Nut	36	Washer
5	Guard	13	Over-Load Protector	21	O-Ring	29	Pump Body		
6	Flow Switch	14	Bearing	22	Oil Seal	30	Pump Base		
7	Screw	15	Rotor	23	Oil Tank	31	Screw		
8	Seal Pressure Block	16	Key	24	Mechanical Seal	32	Screw		

SUBMERSIBLE RANGE

ACCESSORIES



NO	PUMP MODEL	WEIGHT KG	NUMBER OF FLOATS IN PONTOON STACKS	NOTE
1	VTS/VTC215	36	1	Pontoon stack consists of 1 off 0,21m ³ float
2	VTS/VTC222	39	1	Pontoon stack consists of 1 off 0,21m ³ float
3	VTS/VTC237	63	1	Pontoon stack consists of 1 off 0,21m ³ float
4	VTS/VTC355	77	1	Pontoon stack consists of 1 off 0,21m ³ float
5	VTS/VTC475	108	1	Pontoon stack consists of 1 off 0,21m ³ float
6	80VSS44	110	1	Pontoon stack consists of 1 off 0,21m ³ float
7	100VSS46	141	1	Pontoon stack consists of 1 off 0,21m ³ float
8	VTS/VTC4110	144	1	Pontoon stack consists of 1 off 0,21m ³ float
9	VTC4150	144	1	Pontoon stack consists of 1 off 0,21m ³ float
10	150VSS49	171	2	Pontoon stack consists of 2 off 0,21m ³ float
11	200VSS415	260	3	Pontoon stack consists of 3 off 0,21m ³ float
12	VHM422	365	3	Pontoon stack consists of 3 off 0,21m ³ float
13	VHM622	365	3	Pontoon stack consists of 3 off 0,21m ³ float
14	VHM430	370	3	Pontoon stack consists of 3 off 0,21m ³ float
15	VHM630	370	3	Pontoon stack consists of 3 off 0,21m ³ float
16	200VSS422	408	4	Pontoon stack consists of 4 off 0,21m ³ float
17	VHM637	555	4	Pontoon stack consists of 4 off 0,21m ³ float
18	VHM837	555	4	Pontoon stack consists of 4 off 0,21m ³ float
19	VHM645	605	4	Pontoon stack consists of 4 off 0,21m ³ float
20	VHM845	605	4	Pontoon stack consists of 4 off 0,21m ³ float
21	VHM675	880	7	Pontoon stack consists of 7 off 0,21m ³ float

